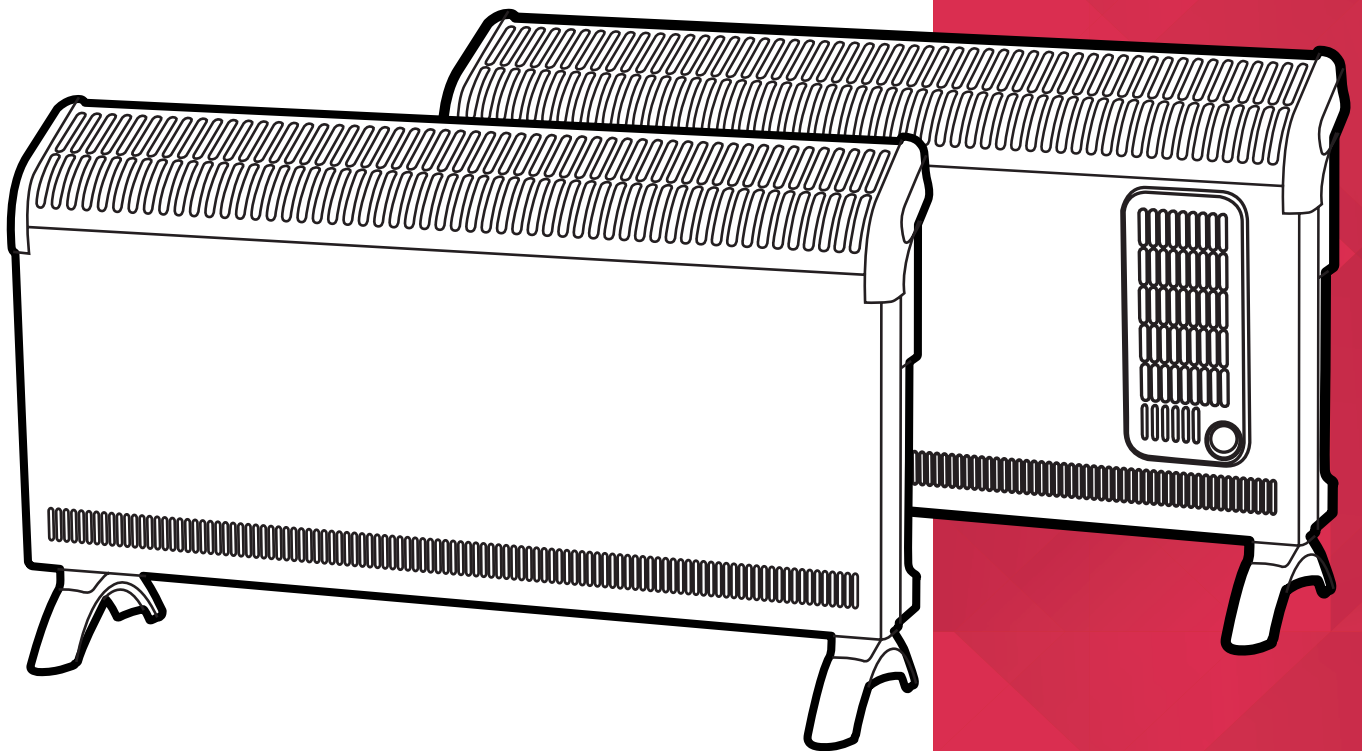




INSTRUCTION MANUAL

Installation and Operating



Contrast Convector Heaters

Model: DXC20TIE7, DXC30TIE7, DXC30FTIE7

These instructions should be read carefully and retained for future use. Note also the information presented on the appliance.



IMPORTANT

THESE INSTRUCTIONS SHOULD BE READ CAREFULLY AND RETAINED FOR FUTURE REFERENCE. **Note also the information presented on the appliance**

IMPORTANT SAFETY ADVICE

WARNING: This appliance must not be used in a bathroom

WARNING: Do not use this heater in the immediate surroundings of a bath, a shower or a swimming pool

WARNING: This heater must not be located immediately below a fixed socket outlet



The heater carries a warning symbol to alert the user to the risk of fire that exists if the heater is accidentally covered

WARNING: In order to avoid a hazard due to inadvertent resetting of the thermal cut-out, this appliance must not be supplied through an external switching device, such as a timer, or connected to a circuit that is regularly switched on and off by the utility

This appliance can be used by children aged from 8 years and above and persons with reduced physical, sensory or mental capabilities or lack of experience or knowledge if they have been given supervision or instruction concerning the use of the appliance in a safe way and understand the hazard involved. Children shall not play with the appliance. Cleaning and user maintenance shall not be made by children without supervision.

Children of less than 3 years should be kept away unless continuously supervised. Children aged from 3 years and less than 8 years shall only switch on/off the appliance provided that it has been placed or installed in its intended normal operating position and they have been given supervision or instruction concerning the use of the appliance in a safe way and understand the hazard involved. Children aged from 3 years and less than 8 years shall not plug in, regulate and clean the appliance or

perform user maintenance.

CAUTION: Some parts of this product can become very hot and cause burns. Particular attention has to be given where children and vulnerable people are present.

If the mains lead is damaged, it must be replaced by the manufacturer or its service agent or a similarly qualified person in order to avoid a hazard

DO NOT use the heater on deep pile carpets or the long hair type of rugs. Keep combustible materials such as drapes and other furnishings clear from the front, sides and rear of the heater.

DO NOT use this heater if it has been dropped.

DO NOT use if there are visible signs of damage to the heater

Use this heater on a horizontal and stable surface, or fix it to the wall as applicable.

DO NOT use the heater to dry your laundry

WARNING: Do not use this heater in small rooms when they are occupied by persons not capable of leaving the room on their own, unless constant supervision is provided

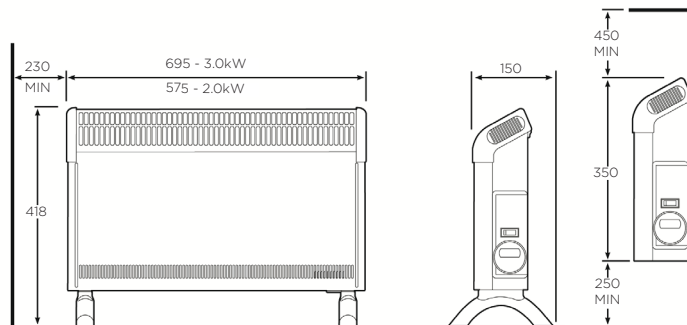
WARNING: To reduce risk of fire, keep textiles, curtains, or any other flammable material a minimum distance of 1m from the air outlet

The instruction leaflet belongs to the appliance and must be kept in a safe place. If changing owners, the leaflet must be surrendered to the new owner.

Dimensions (millimetres)

Model Specification

DXC20TIE7: 2.0kW convector heater with electronic controls
 DXC30TIE7: 3.0kW convector heater with electronic controls
 DXC30FTIE7: 3.0kW convector heater with electronic controls and turbo boost



Electrical Connection

WARNING: THIS APPLIANCE MUST BE EARTHED

The use of an extension lead or multi-plug adaptor is not advised when connecting this product to the mains. Connection through these devices could lead to risk of overloading, overheating and even fire at the extension lead or adaptor due to inadequate connection quality.

This heater must be used on an AC (-) supply only and the voltage marked on the heater must correspond to the supply voltage. This heater is fitted with a rewirable plug incorporating a 13 amp fuse. In the event of replacing the fuse in the plug supplied, a 13 amp fuse approved by ASTA to BS 1362 must be used. If any other type of plug is used, a 15 amp fuse must be fitted in the plug, the adaptor, or at the distribution board.

IMPORTANT: If the plug is not suitable for your socket, the 13 amp plug should be removed. Before wiring the appropriate plug, please note that the wires in this mains lead are coloured in accordance with the following code:

GREEN AND YELLOW: EARTH
 BLUE: NEUTRAL
 BROWN: LIVE

Connect the GREEN AND YELLOW wire to the terminal marked 'E' or by the earth symbol, or coloured GREEN or GREEN AND YELLOW. Connect the BROWN wire to the terminal marked 'L' or coloured RED. Connect the BLUE wire to the terminal marked 'N' or coloured BLACK.

Technical Data

Model Identifier(s)		DXC20TIE7	DXC30TIE7	DXC30FTIE7	
Heat output (kW)					
Nominal heat output	P _{nom}	2	3	3	kW
Minimum heat output (indicative)	P _{min}	2	3	3	kW
Maximum continuous heat output	P _{max,C}	2	3	3	kW
Auxillary electricity Consumption					
At nominal heat output	e _{lmax}	0.00	0.00	0.00	kW
At minimum heat output	e _{lmin}	0.00	0.00	0.00	kW
In standby mode	e _{lSB}	0.00	0.00	0.00	kW
Turbo Fan		N	N	Y	
Contact details	Glen Dimplex Heating and Ventilation, Millbrook House, Grange Drive, Hedge End, Southampton, SO30 2DF				

Using the Heater

WARNING: DO NOT USE THE HEATER UNTIL THE FEET OR WALL BRACKETS ARE FITTED CORRECTLY

The product can be used as an installed or portable unit. Once the desired application has been decided upon and the requirements below have been met the product is ready to be used. Simply plug in and switch on at the wall socket.

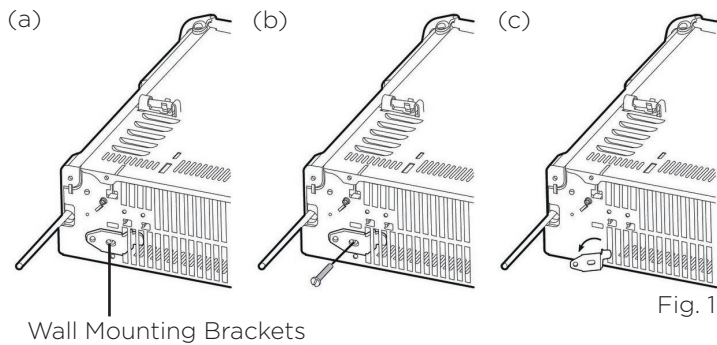
There are various control options available with various combinations via the membrane buttons and segmented display. Please note - the element has been coated with a protective film which will burn off during the first few minutes of use and may cause a small amount of fuming. This is quite normal - the fumes are non-toxic and will quickly disappear. We recommend that you open a window to ventilate the room when using the heater for the first time.

Positioning the Heater

Always ensure that the heater is stood on a firm, level base near to, but not directly underneath a suitable mains supply socket. Ensure that curtains and furniture are not positioned close to the chosen position, as this would create a potential fire hazard. We recommend that the heater should be wall-mounted in rooms where children may be left unattended, see 'Important Safety Advice'. If young children, the aged or infirm are likely to be left in the vicinity of the heater, we advise that the adequate precautions should be taken. We recommend that a guard be fitted to ensure contact with the heater is avoided and objects cannot be inserted into the product. For further information, please contact our guard supplier direct on Tel. No. 0207 987 1184, or in case of difficulty or for further advice contact the Customer Helpline.

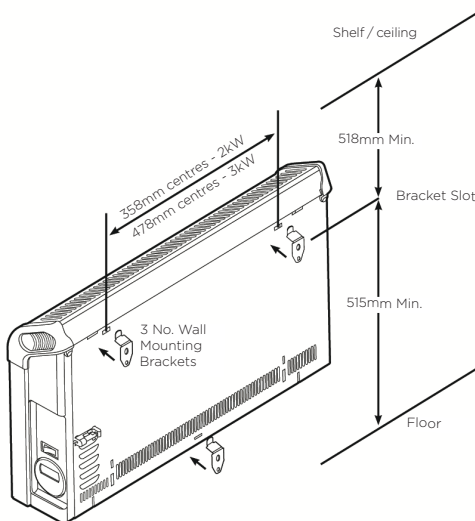
Wall Mounting

Three identical wall mounting brackets are secured to the base of the heater with a fixing screw. To wall mount the appliance, first remove the brackets as follows: Lay the heater on its back. Following the sequence in Fig. 1 - identify and remove the fixing screw securing the brackets located beside the mains cable as shown in (a), then pull out the brackets and rotate them to disengage them from the slot (b). Withdraw the brackets from slot (c).



Select a suitable position on a wall, near to a mains power socket, making sure that there is at least 230mm below the heater at at least 450mm above the heater of unobstructed space. See also 'Positioning the heater'. Fix the two top retaining brackets to the wall, using suitable fixings, for 2kW models at 358mm centres and 3kW models at 478mm centres - see Fig. 2.

Fig. 2

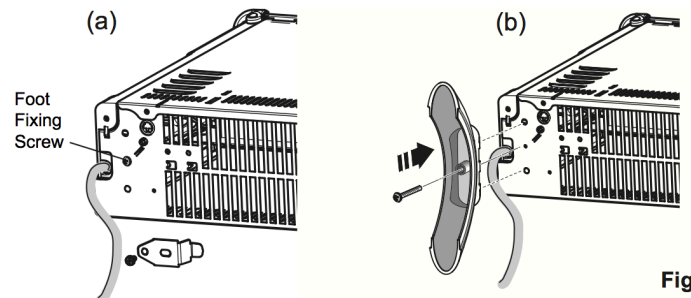


Locate the heater on the top brackets and allow it to hang in place. Fit the bottom bracket into the slot in the heater and then fix it to the wall. Test that the heater is now securely fixed to the wall.

Free Standing Use

WARNING: NEVER USE THE HEATER FREE STANDING WITHOUT THE FEET FITTED

Lay the heater on its back and remove the wall mounting brackets - see 'Wall Mounting'. Locate the footfixing screw (see 'a' in Fig. 3) and remove the screw using an X-head screwdriver, then align foot over slots and holes in base (see 'b' in Fig. 3) and push into the slots. Finally take the foot fixing screw, insert and tighten using a screwdriver to secure the foot.



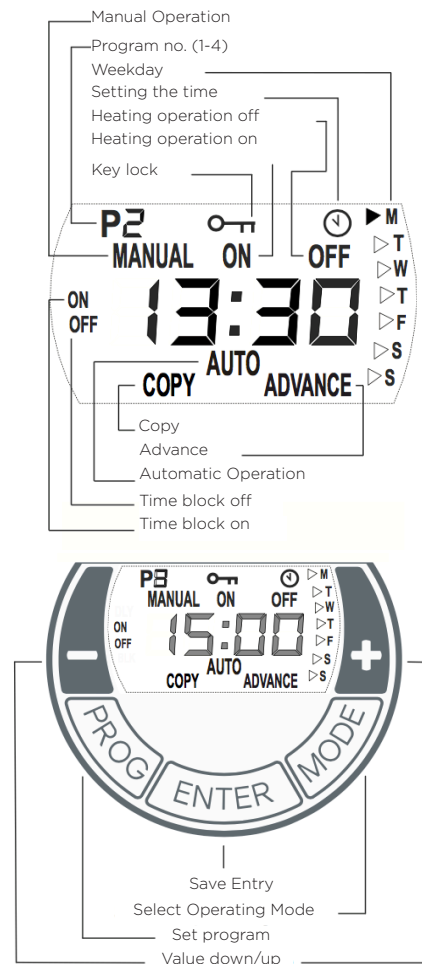
NOTE: The wall mounting brackets must be removed before the foot can be fitted. The brackets should be retained for wall mounting the product in the future if required

Using the Heater

Plug in and switch on at the wall socket. The clock will operate all the time that the heater is connected to the mains supply, regardless of the setting of the control unit.

Control Unit

The heater is supplied with a configurable electronic control, consisting of a display, a LED screen and five membrane buttons. The control unit is located on the right hand side of the panel. The set functions and values are shown on the display. The LED lights up red when heating ON



Key Functions

MODE

- Automatic mode (week program)
- Manual operation ON
- Manual operation OFF

ENTER

- Save entry

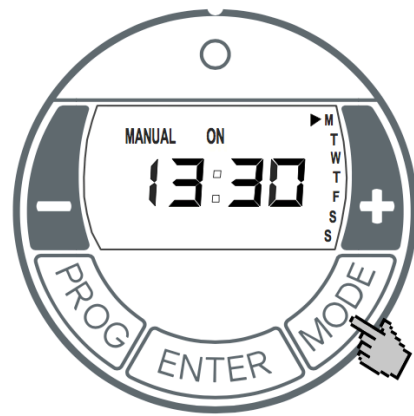
PROG

- Week program, set clock

KEYS +/-

- Used to navigate through the menu and to change the setting values

Selecting the Operating Mode



Operating Modes

Automatic Operation

Up to four heating program (ON/OFF) can be set for each weekday. A room temperature can be specified for each heating program. AUTO appears on the display.

Manual Operation

Manual specification of the room temperature. MANUAL ON or MANUAL OFF appears on the display.

Advance

Switch to the next program item in automatic mode. ADVANCE appears on the display.

NOTE: In manual operation (MANUAL ON), the room temperature can be specified with the +/- keys. In automatic mode, the room temperature setting is only carried out for the current time program.

Pressing the MODE key switches the operating mode between MANUAL ON, MANUAL OFF and AUTO.

MANUAL ON

- Manual heating operation switched on
- Display alternatives between room temperature setting and current time
- Room temperature is set with +/-

MANUAL OFF

- Heating operation switched off
- The current time is displayed
- Room temperature cannot be set

NOTE: In MANUAL OFF operating mode, frost protection takes place. If the room temperature is 5°C or less, the heating device is switched on automatically.

AUTO

- Automatic mode (week program) activated
- Display alternates between room temperature setting and current time
- Heating operation takes place in the specified time blocks for ON and OFF
- Room temperature is set with +/-.

No time blocks are specified at the factory. These must be defined by the user as required.

NOTE: In time block OFF, frost protection is set at the factory. If the room temperature is 5°C or less the heating device is switched on automatically.

NOTE: For extended operation, it is advisable to use the AUTO operating mode to reduce the operating costs.

Four time blocks are available per day. These can be adapted for each weekday.

- Select AUTO operating mode by pressing the MODE button
- Press the PROG key. WEEKDAY display flashes.

Order from top to bottom:

M= Monday, F= Friday
T= Tuesday, S= Saturday
W= Wednesday, S= Sunday
T= Thursday

Setting the Time and Week Day



The time and day are set with the following steps:

- Press and hold the PROG key for three seconds. The clock symbol appears. The hours and display flashes.
- Use the +/- keys to set the hours. Press the ENTER key. The minutes display flashes.
- Use the +/- keys to set the minutes. Press the ENTER key. The weekday flashes.
- Use the +/- keys to set the weekday. Press the ENTER key. The CLOCK symbol disappears. Setting is complete.



Use the +/- keys to set the weekday

Setting time block ON

- press the ENTER key. P1 (period 1) and ON appears. The hours display flashes
- Use the +/- keys to set the hours. Press the ENTER key. The minutes display flashes.
- Use the +/- to set minutes (in 10 minute increments)

Setting time block OFF

- Press the ENTER key. P1 (program 1) and OFF appears. The hours display flashes.
- Use the +/- keys to set the hours. Press the ENTER key. The minutes display flashes.
- Use the +/- keys to set the minutes

Temperature setting

- Press the ENTER key. Temperature setting appears
- Use the +/- keys to set the temperature.
- Press the ENTER key. P2 (program 2) and ON appears. The hours display flashes.

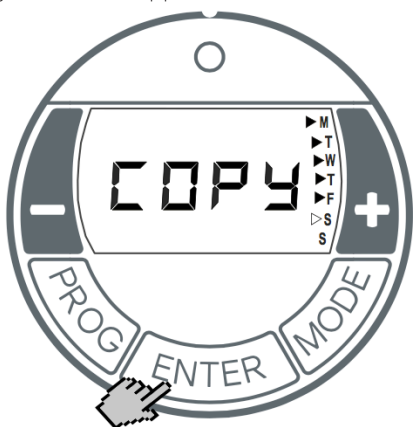
The programs P2, P3 and P4 can be set in the same way.

NOTE: To exit the program early, press the PROG key

Copying Programs

To copy the newly set programs P1 - P4 to other days, proceed as follows.

- After carrying out the Temperature Setting, press and hold the ENTER key until COPY appears.



- Press + to select more weekdays.
- The selected weekdays are marked with a triangle displayed permanently. The days Monday to Friday are selected on the screen at the top. Deselect weekdays with the - key.
- Press the ENTER key. The settings are saved. COPY flashes three times. Setting is complete.

Frost Protection

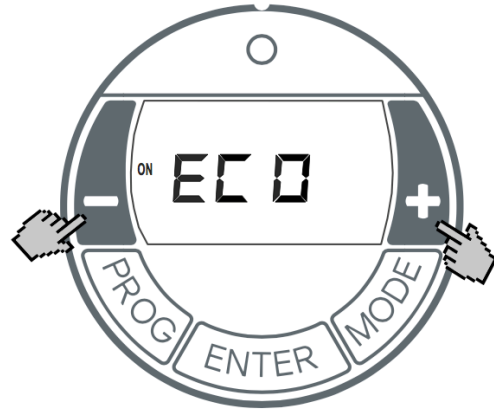
In MANUAL OFF operating mode and Auto operating mode (time block OFF), frost protection takes place. If the room temperature is 5° C or less, the heating device is switched on automatically.

Adaptive Start

This function guarantees that, in automatic mode (week program), the set room temperature is achieved exactly at the start of the switch-on time.

Example:

In the timer menu, a set room temperature of 22°C is specified. The current room temperature is 17° C. The heating device switches on early so that the specified room temperature of 22° C is reached by 07:00.

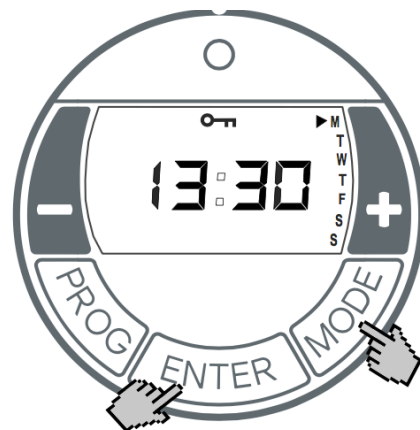


- Use the MODE key to select the operating mode AUTO
- Press and hold the + and - keys for three seconds
- ECO appears
- Activate / deactivate the function with the +/- keys:
- ON = Adaptive start activated
- OFF = Adaptive start deactivated
- Press the ENTER key. Setting is saved.

Options

Key Lock

This function can be used to lock the operating elements



- Press and hold the ENTER key and MODE key for one second
- The LOCKED key symbol appears in the display.
- To unlock, press and hold the ENTER key and the MODE at the same time again

NOTE: No settings can be made if the key lock is activated

Turbo Fan model - DXC30FTiE7

The turbo fan can be used to circulate the heat around the room to help it reach the desired temperature more quickly. On this model with the ON/OFF switch at position ON and the turbo switch in it's Off position there will be 2kw output from the convector (Note 2kW is only possible with turbo Off). To achieve 3kW output now turn on the turbo switch which will combine the 2kW setting with a 1kW fan boost setting to give the total output of 3kW with fan boost.

Recycling



For electrical products sold within the European Community. At the end of the electrical products useful life it should not be disposed of with household waste. Please recycle where facilities exist. Check with a Local Authority or retailer for recycling advice in your country. Batteries should be disposed of or recycled in accordance with WEEE Directive 2012/19/EU. Packaging should be recycled where possible.

What does a Dimplex Guarantee Cover?

Dimplex products deliver reliable service for normal, household use in domestic settings. All Dimplex products are individually tested before leaving the factory.

If you are a consumer and you experience a problem with your Dimplex product, which is found to be defective due to faulty materials or workmanship within the Guarantee Period, this Dimplex Guarantee will cover repair or - at the discretion of Dimplex - replacement with a functionally equivalent Dimplex product.

The Dimplex Guarantee Period is two calendar years from the date of purchase of your Dimplex product, or the date of delivery of the product, if later. The Dimplex Guarantee is conditional upon you providing the original purchase receipt as proof of purchase. Please therefore retain your receipt as proof of purchase.

If you do experience a problem with your Dimplex product please call the Helpline on **0344 879 3588** or visit <https://www.gdhv.com/contact-us> and complete the online form. For ROI please email serviceireland@glendimplex.com or call **+353(0)1 842 833**. We will need details of your Dimplex product, its serial number and a description of the fault which has occurred. You can find the model number and serial number for your Dimplex product on the appliance rating label. Once we receive your information and proof of purchase we will contact you to make the necessary arrangements.

If your Dimplex product is not covered by this Dimplex Guarantee there may be a charge to repair your product. However, we will contact you for agreement to any charges before any chargeable service is carried out

What is not covered by a Dimplex Guarantee?

The Dimplex Guarantee does not cover any of the following:

- Any fault or damage to your Dimplex product due to faulty materials or workmanship occurring outside the one-year Guarantee Period.
- Any fault or damage occurring to any pre-owned Dimplex product or to any other equipment or property.
- Accidental damage to your Dimplex product or damage to your Dimplex product from external sources (for example, transit, weather, electrical outages or power surges).
- Fault or damage to your Dimplex product which is:
 - Not due to faulty materials or workmanship or which is due to circumstances outside Dimplex control.
 - Caused by use of your Dimplex product for anything other than normal domestic household purposes in the country where it was purchased.
- Caused by any misuse, abuse or negligent use of the Dimplex product, including but not limited to any failure to use it in accordance with the Operating Instructions supplied with the product.
- Caused by any failure to assemble, install clean and maintain your Dimplex product in accordance with the Operating Instructions supplied with the product unless this was carried out by Dimplex or its authorised dealers.
- Caused by repairs or alterations to your Dimplex product not carried out by Dimplex service personnel or its authorised dealer(s).
- Caused by use of any consumables or spare parts for your Dimplex product which are not Dimplex - specified.

Terms and Conditions

- The Dimplex Guarantee is valid for Dimplex from the date of purchase of your Dimplex product from a recognised retailer in the country of purchase and use, or the date of delivery of the product if later, always provided the original receipt has been retained and is produced as proof of purchase.
- You must provide to Dimplex or its authorised agents on request the original receipt as proof of purchase and - if required by Dimplex - proof of delivery. If you are unable to provide this documentation, you will be required to pay for any repair work required.
- Any repair work under the Dimplex Guarantee will be carried out by Dimplex or its authorised dealer(s) and any parts that are replaced will become the property of Dimplex. Any repairs performed under the Dimplex Guarantee will not extend the Guarantee Period.
- Any replacement of your Dimplex product by Dimplex during the Guarantee Period will start the Dimplex Guarantee Period afresh from the date of delivery of the replacement Dimplex product to you.
- The Dimplex Guarantee does not entitle you to recovery of any indirect or consequential loss or damage including but not limited to loss or damage to any other property.
- The Dimplex Guarantee is in addition to your statutory rights as a consumer and your statutory rights are not affected by this Dimplex Guarantee.

Contact details

Glen Dimplex Heating and Ventilation, Millbrook House, Grange Drive, Hedge End, Southampton, SO30 2DF



Customer Helpline: 0344 879 3588
aftersales@dimplex.co.uk
www.dimplex.co.uk

Glen Dimplex Heating and Ventilation
Millbrook House, Grange Drive, Hedge End, Southampton, SO30 2DF

© Glen Dimplex. All rights reserved. Material contained in this publication may not be reproduced in whole or in part, without prior permission in writing of Glen Dimplex

CE This product complies with the European Safety Standards EN60335-2-30 and the European Standard Electromagnetic Compatibility (EMC) EN55014, EN60555-2 and EN60555-3. These cover the essential requirements of EEC Directives 2006/95/EC and 2004/108/EC